

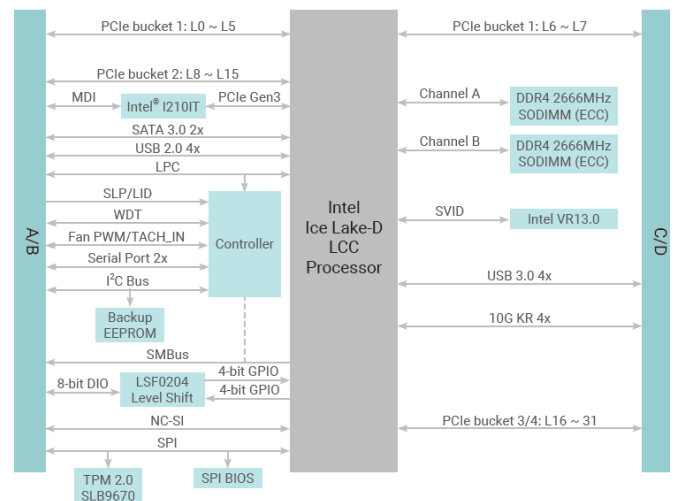
Adbc8135



FEATURES

- COM Express® Basic Size Type7 Module
- 第3世代 Intel® Xeon® Processor D-1700 ファミリープロセッサ搭載
- 最大 96GB、260-pin SODIMM x3 搭載
- 1 x PCIe x16 (Gen4)、2 x PCIe x8 (Gen3)、1 x SMBus、1 x I²C、1 x LPC、2 x UART (TX/RX)
- 温度拡張対応: -40°C ~ 85°Cまで

ブロック図





仕様

System	Processor	3rd Gen Intel® Xeon® Scalable Processors D-1700 Family		
		Intel® Xeon® D-1746TER Processor, 10 Cores, 15MB Cache, 2.0GHz, 67W		
		Intel® Xeon® D-1735TR Processor, 8 Cores, 15MB Cache, 2.2GHz, 59W		
		Intel® Xeon® D-1732TE Processor, 8 Cores, 15MB Cache, 1.9GHz, 52W		
Memory	Memory	Intel® Xeon® D-1715ER Processor, 4 Cores, 10MB Cache, 2.4GHz, 50W		
		Intel® Xeon® D-1712TR Processor, 4 Cores, 10MB Cache, 2.0GHz, 40W		
		Default 2 260-pin DDR4 2666 SO-DIMM, dual channel mode up to 64GB		
		3rd DIMM by request (SDPC mode by request to support DDR4 2933MHz)		
Expansion	Interface	BIOS		
		Insyde SPI 512Mbit		
		Default:		
		B1: 1 x PCIe x8 or 2 x PCIe x4 or 4 x PCIe x2 (Gen 3) B2: 1 x PCIe x8 or 2 x PCIe x4 or 4 x PCIe x2 (Gen 3) B3/B4: 1 x PCIe x16 or 2 x PCIe x8 or 4 x PCIe x4 (Gen 4) 1 x LPC, 1 x I2C, 1 x SMBus, 2 x UART (TX/RX)		
Ethernet	Controller	Supports up to 4 x 10GBASE-KR interfaces and max up to 4 x 10GbE MAC ports (maximum bandwidth 40Gb by activating the 4 x 10GbE at the same time)		
		1 x Intel® I210AT (10/100/1000Mbps) (0 to 60°C) or		
		1 x Intel® I210IT (10/100/1000Mbps) (-40 to 85°C)		
I/O	USB	4 x USB 3.0, 4 x USB 2.0		
	SATA	2 x SATA 3.0 (up to 6Gb/s)		
	DIO	1 x 8-bit DIO (4 in, 4 out)		
Watchdog Timer	Output & Interval	System Reset, Programmable via Software from 1 to 255 Seconds		
Power	Type	Security		
		TPM	Default TPM2.0, fTPM by request	
		Type	12V, 5VSB, VCC_RTC (ATX mode) 12V, VCC_RTC (AT mode)	
OS Support	Consumption	Windows		
			Typical: 71.36W Max: 72.36W	
			Linux	Windows Server 2019 Windows Server 2022 Ubuntu 20.04, CentOS 7.5
Environment	Temperature	Humidity		
			MTBF	Operating: 0 to 60°C, -40 to 85°C Storage: -40 to 85°C
				Operating: 5 to 90% RH Storage: 5 to 90% RH
				277,731hrs @25°C; 144,676hrs @45°C; 81,589hrs @60°C; 55,811hrs @70°C; 37,526 @85°C
Calculation model: Telcordia Issue 4 Environment: GB, GC – Ground Benign, Controlled				
Mechanism	Dimensions	COM Express® Basic, 95mm x 125mm		
	Compliance	PICMG COM Express® R3.0, Type 7		
Standards and Certifications	Certifications	CE, FCC, RoHS		

お問い合わせメール: sales@advanet.jp