

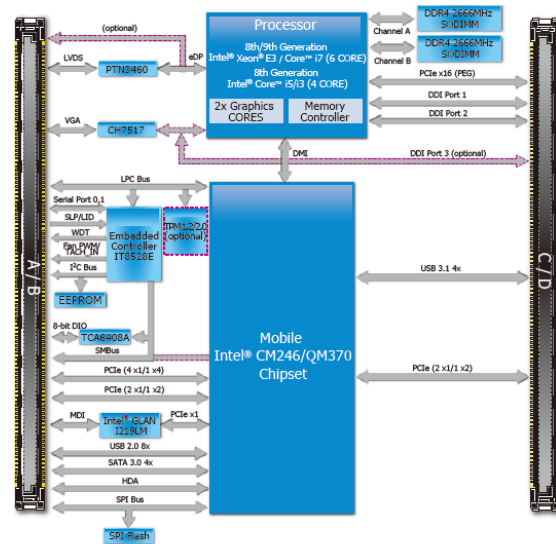
Adbc8097



FEATURES

- DDR4 SO-DIMM 2666MHz x2枚 最大64GB
- 4種のディスプレイI/F、最大3つの同時表示に対応
VGA*/DDI x1、LVDS*/eDP x1、DDI x2 *標準設定
- eDP解像度 最大 4096x2304 @60Hz
- PCI Express(x16) x1、PCI Express(x8) x1
- Intel GbE x1、USB3.1 x4、USB2.0 x8、SATA x4、COM x2

ブロック図



PCIe L0~3		PCIe L4~5		PCIe L6~7	
x4		x4			
x2	x2	x2	x2	x2	x2
x1	x1	x1	x1	x1	x1

* 8 x PCIe x1 or 2 x PCIe x4 or 4 x PCIe x2

Specifications

仕様

SYSTEM	Processor	8th/9th Generation Intel® Core™ Processors, BGA 1440 Intel® Core™ i7-8850H, 6 Cores, 12M Cache, 2.6GHz (4.3GHz), 45W (CM246/QM370) Intel® Core™ i5-8400H, 4 Cores, 8M Cache, 2.5GHz (4.2GHz), 45W (CM246/QM370) Intel® Core™ i3-8100H, 4 Cores, 6M Cache, 3.0GHz, 45W (QM370) Intel® Core™ i7-9850HL, 6 Cores, 9M Cache, 1.9GHz (4.1GHz), 25W (QM370) Intel® Core™ i7-9850HE, 6 Cores, 9M Cache, 2.7GHz (4.4GHz), 45W (QM370) Intel® Xeon® E-2176M, 6 Cores, 12M Cache, 2.7GHz (4.4GHz), 45W (CM246/QM370) Intel® Xeon® E-2276ML, 6 Cores, 12M Cache, 2.0GHz (4.2GHz), 25W (CM246) Intel® Xeon® E-2276ME, 6 Cores, 12M Cache, 2.8GHz (4.5GHz), 45W (CM246) Intel® Xeon® E-2254ML, 4 Cores, 8M Cache, 1.7GHz (3.5GHz), 25W (CM246) Intel® Xeon® E-2254ME, 4 Cores, 8M Cache, 2.6GHz (3.8GHz), 45W (CM246) Intel® Celeron® G4930E, 2 Cores, 2M Cache, 2.4GHz (2.4GHz), 35W (CM246)	
	Chipset	Intel® CM246 Chipset (Support ECC)	Intel® QM370 Chipset
	Memory	Two 260-pin SODIMM up to 64GB	Dual Channel DDR4 2666MHz
	BIOS	AMI SPI 128Mbit	
	GRAPHICS	Controller	Intel® HD Graphics
	Feature	OpenGL up to 4.5, DirectX 11, OpenCL 2.1 HW Decode: HEVC/H.265, H.264, M/JPEG, MPEG2, VC1/WMV9, VP8 (8-bit), VP9 (10-bit) HW Encode: HEVC/H.265, M/JPEG, MPEG2, VP8	
	Display	1 x VGA/DDI (DDI available upon request) 1 x LVDS/eDP (eDP available upon request) 2 x DDI (HDMI/DVI/DP++)	VGA: resolution up to 1920x1200 @ 60Hz LVDS: dual channel 24-bit, resolution up to 1920x1200 @ 60Hz HDMI: resolution up to 4096x2160 @ 30Hz 24bpp DVI: resolution up to 1920x1200 @ 60Hz DP++/eDP: resolution up to 4096x2304 @ 60Hz
	Triple Displays	VGA + LVDS + DDI or VGA + DDI 1 + DDI 2 eDP + 2 DDI (available upon request)	
EXPANSION	Interface	1 x PCIe x16 or 2 x PCIe x8 (Gen 3) 8 x PCIe x1 or 2 x PCIe x4 or 4 x PCIe x2 (Gen 3) 1 x LPC 1 x I ² C 1 x SMBus 2 x UART (TX/RX)	
	AUDIO	Interface	HD Audio
ETHERNET	Controller	1 x Intel® I219LM with iAMT12.0 PCIe (10/100/1000Mbps)	
I/O	USB	4 x USB 3.1 8 x USB 2.0	
	SATA	4 x SATA 3.0 (up to 6Gb/s)	RAID 0/1/5/10
	DIO	1 x 8-bit DIO (Default 4 inputs and 4 outputs)	
WATCHDOG TIMER	Output & Interval	System Reset, Programmable via Software from 1 to 255 Seconds	
SECURITY	TPM	Available Upon Request	
POWER	Type	12V, 5VSB, VCC_RTC (ATX mode)	12V, VCC_RTC (AT mode)
	Consumption	Typical: 12V @ 0.85A (13.07W) Max.: 12V @ 5.75A (74.084W)	
OS SUPPORT		Windows: Windows 10 IoT Enterprise 64-bit Linux	
ENVIRONMENT	Temperature	Operating: 0 to 60°C -40 to 85°C	Storage: -40 to 85°C
	Humidity	Operating: 5 to 90% RH	Storage: 5 to 90% RH
	MTBF	1,360,171 hrs @ 25°C; 892,642 hrs @ 45°C; 624,277 hrs @ 60°C excluding accessories Calculation Model: Telcordia Issue 4 Environment: GB, GC – Ground Benign, Controlled	
MECHANICAL	Dimensions	COM Express® Basic	95mm x 125mm
	Compliance	PICMG COM Express® R2.1, Type 6	

お問合せメール: sales@advanet.jp

※仕様は予告なく変更されることがあります。



Advanet

A member of Eurotech Group

株式会社アドバネット

本社 〒700-0951 岡山県岡山市北区田中 616-4 TEL 086-245-2861 FAX 086-245-2860
工場 〒700-0954 岡山県岡山市南区米倉134-1 TEL 086-243-2340 FAX 086-243-8351
東京支社 〒101-0045 東京都千代田区神田鍛冶町3丁目5-2 KDX鍛冶町ビル4F TEL 03-5294-1731 FAX 03-5294-1734

※記載されている会社名及び製品名は、それぞれ各社の商標または登録商標です。

C297-2006R3