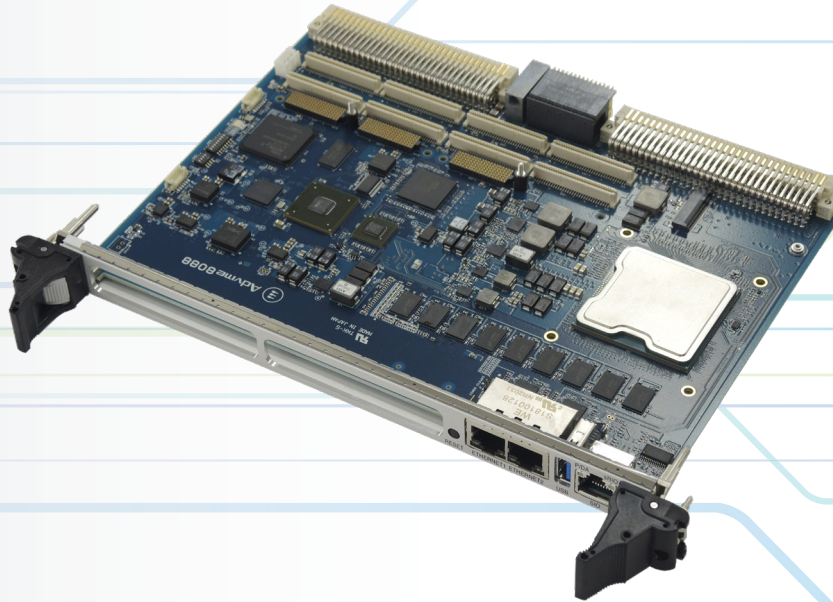


Advme8088



FEATURES

- Intel® Xeon® D-1700 processor
- Soldered, ECC DDR4-2400 16GB (max) Dual Channel RAM
- XMC / PMC 2 slots
- M.2 (PCIe3 x4/SATA)
- Gigabit Ethernet 2 ports
- VME64x, 2eSST
- VXS™ P0 Connector
- Serial RapidIO® Gen2 4x 2 ports
- 6U, 1 slot width
- Single 5V power supply
- VxWorks®7

The Advme8088 is a 6U 1-slot VME CPU board equipped with the Intel® Xeon® D-1700 processor. The VME form factor, which is widely used in many industrial devices, allows customers to reduce their man-hours and development time for upgrading existing systems.

The Intel® Xeon® D-1700 processor has more cores and faster interface, making it ideal for applications that handle a large number of inputs and processes simultaneously.

The Serial RapidIO® interface connected to the VXS™ and XMC connectors enables seamless high-speed communication with peripheral boards and external devices.

The two XMC slots are both connected to the CPU via PCI Express® Gen3 x8 and support high-speed network interfaces and accelerators.

Thanks to the on-board RAM, it is ideal for applications that require high reliability and vibration resistance.

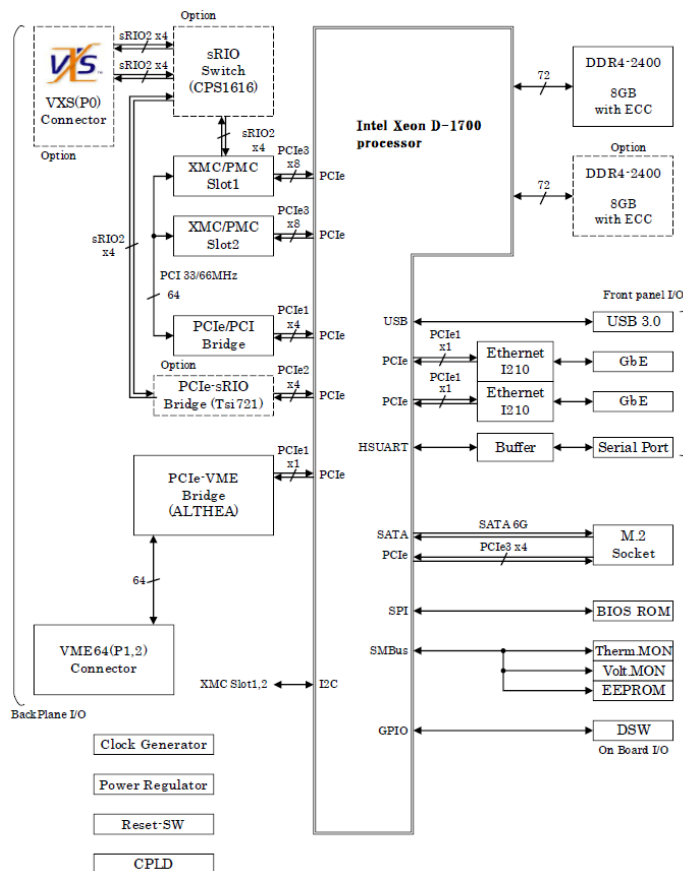
Advme8088

Specifications

Specification

PROCESSOR	CPU	Intel® Xeon® D-1700 processor
MEMORY	RAM	2x memory-down DDR4-2400 with ECC support (up to 16GB)
STORAGE	Embedded	1x M.2 socket (Key-M, Type2242, PCI Express® Gen3 x4 or SATA 3.0)
Front panel I/O	Ethernet USB Serial	2x 100/1000Mbps - RJ-45 1x USB3.0 (Type A) 1x RS-232C - RJ-45
Backplane I/O	VME P1/P2 VXS P0	VMEbus™ C.3, ANSI/VITA1-1994 VME64, ANSI/VITA1.1-1997 VME64 Extensions, ANSI/VITA1.5-200 2eSST 2x ANSI/VITA41.2-2006 VXS Serial RapidIO® Gen2 4x
OTHER	RTC Watchdog Sensors	Yes Yes Temperature, Voltage
POWER	Input Consumption	5VDC TBD
ENVIRONMENT	Operating Temp. Storage Temp. Humidity	0 to 60°C (forced-air) TBD TBD (No condensation)
CERTIFICATIONS	Environmental	RoHS (2011/65/EU, (EU)2015/863)
MECHANICAL	Dimensions	6U, 4HP, single-slot
SOFTWARE	OS	Wind River® VxWorks® 7 32/64bit

Block Diagrams



Email: sales@advanet.jp

Advanet Inc.